

## Cig-Arrête Weatherproof Flame Detector (Part No CSA-FDWS)



### Description

Designed for the detection of unauthorised smoking in external areas subject to high winds, rapid ventilation, smoke and gas. Typical applications include open areas, building entry/exit points, rooms with high ceilings (>3m <6m), or locations subject to intermittent smoke or vapour.

The module is designed for single applications, and will detect a 25mm cigarette lighter flame at 6 metres within 1 second. When installed as part of a Cig-Arrête Tobacco Control System, the FDV can be combined with Flame Detection Slave units (CSA-FUV) to provide complete coverage.

Coverage 6m @120° FOV

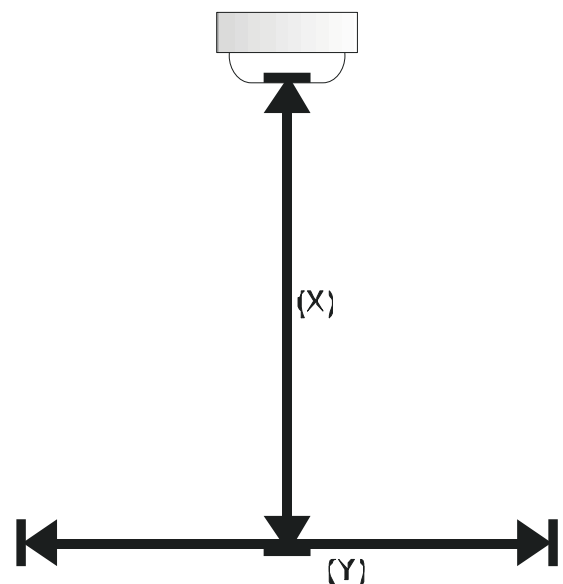
### Product Features

- Designed to detect a flame lighting a cigarette
- Fully self-contained, battery operated flame detector and voice sounder
- 120 degree field of view
- Operates from 1 x 9V standard alkaline PP3 battery
- Tough, aesthetic, brilliant white GRP housing
- Provides clear voice message at 90dB output in alarm, with volume control
- Optional plug-in relay for connection to remote equipment (contacts rated at 1A 24v dc)
- May be remotely powered using an optional 6V power supply (part CSA-SMPSU)

### Coverage

The flame detector has a field of view of 120°. The table below provides a guide to the coverage area for a given installed height.

Height Metres (x)	Coverage Metres (y)	Height Feet (x)	Coverage Feet (y)
1	3.5	3	10
2	7	6	20
3	10	9	31
4	14	12	42
5	17	15	52
6	21	18	62



## Cig-Arrête Weatherproof Flame Detector (Part No CSA-FDWS)

### Installation

**DO NOT INSTALL THE CSA-FDWS IN AN EXTERNAL ENVIRONMENT WHERE RAIN CAN PENETRATE THE UNIT.**

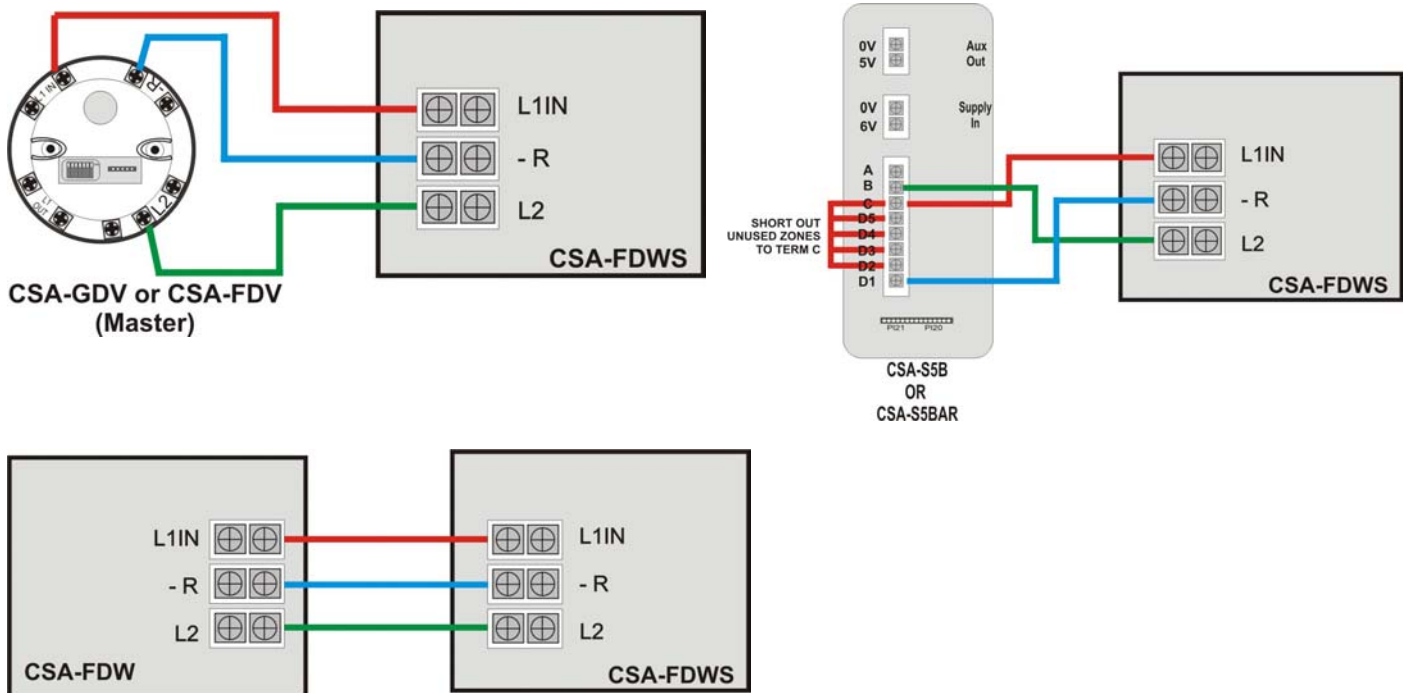
You will require other products in order to make this product operate:

Either:

**CSA-FDW, CSA-FDV, CSA-GDV, CSA-S5B or CSA-S5BAR**

Install the unit on a ceiling or on a wall in line with the operating parameters shown overleaf. Please ensure that the sensing window is clean and free from dust and grease as this may affect the sensitivity of the unit.

Connect the CSA-FDWS to one of the Master Units listed above using the connector block inside the products. The connections are as follows:



Test the unit by operating a lighter within 6 metres. If the unit is sensing the flame the LED will flash and the unit will initiate an alarm.

**THE CSA-FDWS DOES NOT FLASH ITS LED. THE ONLY TIME THE LED WILL FLASH IS WHEN THE DETECTOR HAS SENSED A FLAME, AND WHEN THE DETECTOR HAS INITIATED AN ALARM CONDITION.**