

Designed to operate **only** with the Cig-Arrête® Smoke Alarm System, the CSA-RAI electronic sounder operates within the 800/ 100Hz-frequency range. This high efficiency sounder produces a substantial output at 6 vdc for a minimal current drain.

**Supply Voltage** 6 vdc  
**Supply Current** <1mA at 5 vdc  
**Sound Output** 75dBA at 1metre  
**Volume Control** On sounder pcb  
**Protection** IP65

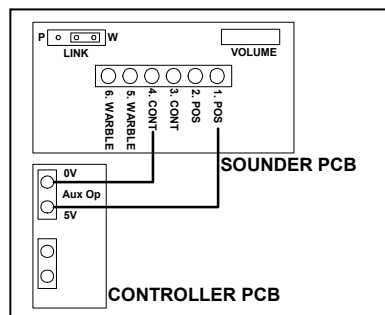
**DO NOT CONNECT THE CSA-RAI TO ANY OTHER EQUIPMENT**

Always follow the instructions printed across to ensure correct installation.  
 Always ensure that nib on mounting base aligns with cut-out on sounder body.  
 Always ensure correct polarity.

Manufactured in the United Kingdom



### CSA-RAI REMOTE SOUNDER



#### INSTALLATION DETAILS

Remove the batteries or power supply from the Cig-Arrête® main controller and connect the remote sounder to the remote output of the Cig-Arrête® main controller as shown in the diagram above. Replace the batteries and your installation is complete.

Designed to operate **only** with the Cig-Arrête® Smoke Alarm System, the CSA-RAI electronic sounder operates within the 800/ 100Hz-frequency range. This high efficiency sounder produces a substantial output at 6 vdc for a minimal current drain.

**Supply Voltage** 6 vdc  
**Supply Current** <1mA at 5 vdc  
**Sound Output** 75dBA at 1metre  
**Volume Control** On sounder pcb  
**Protection** IP65

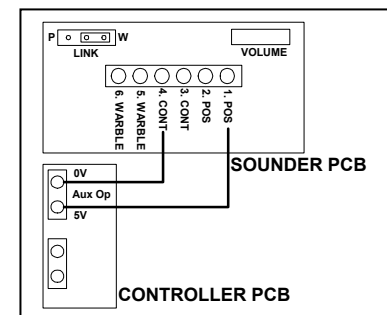
**DO NOT CONNECT THE CSA-RAI TO ANY OTHER EQUIPMENT**

Always follow the instructions printed across to ensure correct installation.  
 Always ensure that nib on mounting base aligns with cut-out on sounder body.  
 Always ensure correct polarity.

Manufactured in the United Kingdom



### CSA-RAI REMOTE SOUNDER



#### INSTALLATION DETAILS

Remove the batteries or power supply from the Cig-Arrête® main controller and connect the remote sounder to the remote output of the Cig-Arrête® main controller as shown in the diagram above. Replace the batteries and your installation is complete.

Designed to operate **only** with the Cig-Arrête® Smoke Alarm System, the CSA-RAI electronic sounder operates within the 800/ 100Hz-frequency range. This high efficiency sounder produces a substantial output at 6 vdc for a minimal current drain.

**Supply Voltage** 6 vdc  
**Supply Current** <1mA at 5 vdc  
**Sound Output** 75dBA at 1metre  
**Volume Control** On sounder pcb  
**Protection** IP65

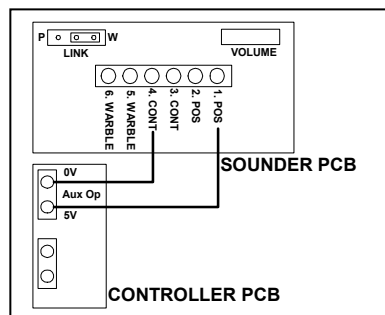
**DO NOT CONNECT THE CSA-RAI TO ANY OTHER EQUIPMENT**

Always follow the instructions printed across to ensure correct installation.  
 Always ensure that nib on mounting base aligns with cut-out on sounder body.  
 Always ensure correct polarity.

Manufactured in the United Kingdom



### CSA-RAI REMOTE SOUNDER



#### INSTALLATION DETAILS

Remove the batteries or power supply from the Cig-Arrête® main controller and connect the remote sounder to the remote output of the Cig-Arrête® main controller as shown in the diagram above. Replace the batteries and your installation is complete.

Designed to operate **only** with the Cig-Arrête® Smoke Alarm System, the CSA-RAI electronic sounder operates within the 800/ 100Hz-frequency range. This high efficiency sounder produces a substantial output at 6 vdc for a minimal current drain.

**Supply Voltage** 6 vdc  
**Supply Current** <1mA at 5 vdc  
**Sound Output** 75dBA at 1metre  
**Volume Control** On sounder pcb  
**Protection** IP65

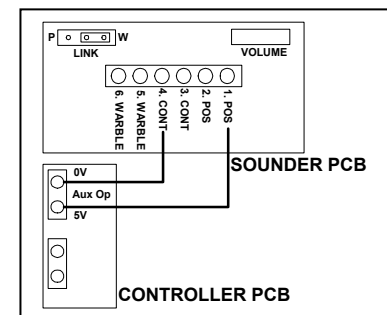
**DO NOT CONNECT THE CSA-RAI TO ANY OTHER EQUIPMENT**

Always follow the instructions printed across to ensure correct installation.  
 Always ensure that nib on mounting base aligns with cut-out on sounder body.  
 Always ensure correct polarity.

Manufactured in the United Kingdom



### CSA-RAI REMOTE SOUNDER



#### INSTALLATION DETAILS

Remove the batteries or power supply from the Cig-Arrête® main controller and connect the remote sounder to the remote output of the Cig-Arrête® main controller as shown in the diagram above. Replace the batteries and your installation is complete.