

Designed to operate **only** with the Cig-Arrête® Smoke Alarm System, the CSA-RAI24 electronic sounder operates within the 800/ 100Hz-frequency range. This high efficiency sounder produces a substantial output at 24 vdc for a minimal current drain.

Supply Voltage 12-35 vdc
Supply Current <15 mA at 24 vdc
Sound Output 98dBA at 1metre
Volume Control On sounder pcb
Protection IP65

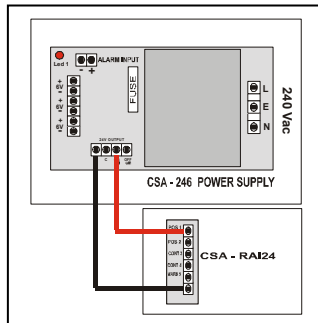
DO NOT CONNECT THE CSA-RAI 24 TO ANY OTHER EQUIPMENT

Always follow the instructions printed across to ensure correct installation.
 Always ensure that nib on mounting base aligns with cut-out on sounder body.
 Always ensure correct polarity.

Manufactured in the United Kingdom



CSA-RAI24 REMOTE SOUNDER



INSTALLATION DETAILS

Connect the CSA-RAI24 Sounder Module to the Cig-Arrête Power Supply Unit (Either CSA-246, CSA-110 or CSA-116) as shown above.

In alarm the CSA-RAI24 will produce a continuous tone. Connect the negative to Terminal 5 or 6 for a warble tone in alarm

Designed to operate **only** with the Cig-Arrête® Smoke Alarm System, the CSA-RAI24 electronic sounder operates within the 800/ 100Hz-frequency range. This high efficiency sounder produces a substantial output at 24 vdc for a minimal current drain.

Supply Voltage 12-35 vdc
Supply Current <15 mA at 24 vdc
Sound Output 98dBA at 1metre
Volume Control On sounder pcb
Protection IP65

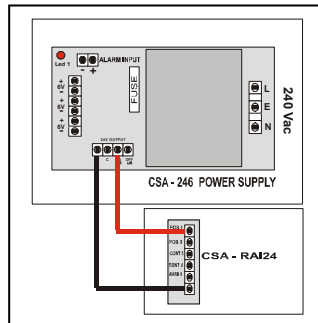
DO NOT CONNECT THE CSA-RAI 24 TO ANY OTHER EQUIPMENT

Always follow the instructions printed across to ensure correct installation.
 Always ensure that nib on mounting base aligns with cut-out on sounder body.
 Always ensure correct polarity.

Manufactured in the United Kingdom



CSA-RAI24 REMOTE SOUNDER



INSTALLATION DETAILS

Connect the CSA-RAI24 Sounder Module to the Cig-Arrête Power Supply Unit (Either CSA-246, CSA-110 or CSA-116) as shown above.

In alarm the CSA-RAI24 will produce a continuous tone. Connect the negative to Terminal 5 or 6 for a warble tone in alarm

Designed to operate **only** with the Cig-Arrête® Smoke Alarm System, the CSA-RAI24 electronic sounder operates within the 800/ 100Hz-frequency range. This high efficiency sounder produces a substantial output at 24 vdc for a minimal current drain.

Supply Voltage 12-35 vdc
Supply Current <15 mA at 24 vdc
Sound Output 98dBA at 1metre
Volume Control On sounder pcb
Protection IP65

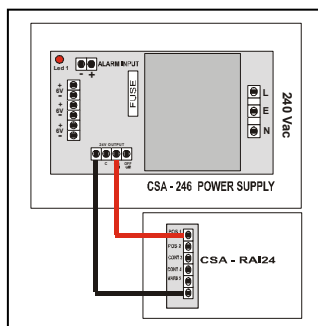
DO NOT CONNECT THE CSA-RAI 24 TO ANY OTHER EQUIPMENT

Always follow the instructions printed across to ensure correct installation.
 Always ensure that nib on mounting base aligns with cut-out on sounder body.
 Always ensure correct polarity.

Manufactured in the United Kingdom



CSA-RAI24 REMOTE SOUNDER



INSTALLATION DETAILS

Connect the CSA-RAI24 Sounder Module to the Cig-Arrête Power Supply Unit (Either CSA-246, CSA-110 or CSA-116) as shown above.

In alarm the CSA-RAI24 will produce a continuous tone. Connect the negative to Terminal 5 or 6 for a warble tone in alarm

Designed to operate **only** with the Cig-Arrête® Smoke Alarm System, the CSA-RAI24 electronic sounder operates within the 800/ 100Hz-frequency range. This high efficiency sounder produces a substantial output at 24 vdc for a minimal current drain.

Supply Voltage 12-35 vdc
Supply Current <15 mA at 24 vdc
Sound Output 98dBA at 1metre
Volume Control On sounder pcb
Protection IP65

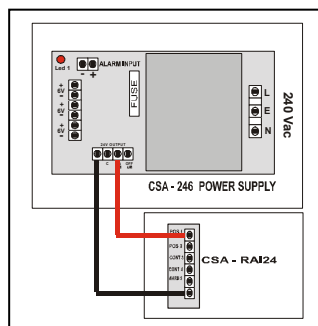
DO NOT CONNECT THE CSA-RAI 24 TO ANY OTHER EQUIPMENT

Always follow the instructions printed across to ensure correct installation.
 Always ensure that nib on mounting base aligns with cut-out on sounder body.
 Always ensure correct polarity.

Manufactured in the United Kingdom



CSA-RAI24 REMOTE SOUNDER



INSTALLATION DETAILS

Connect the CSA-RAI24 Sounder Module to the Cig-Arrête Power Supply Unit (Either CSA-246, CSA-110 or CSA-116) as shown above.

In alarm the CSA-RAI24 will produce a continuous tone. Connect the negative to Terminal 5 or 6 for a warble tone in alarm