

**'Cig-Arrête® SD Evolution' Power Supply (Part No CSA-006)**



Brand new for 2012, the Cig-Arrête® SD Evolution Power Supply is designed to power a 3 Amp load with an input voltage of 110—240Vac.

The unit will provide 6Vdc to power all of the Cig-Arrête® and SpeechPOD product range and is supplied in an IP54 grey enclosure.

The power supply is also UL and TOV approved for indoor use.

**Technical Specifications**

Input Voltage: 100—240Vac (50—60Hz)

Input Fuse Rating: 1 Amp Quick Blow (5 x 20mm)

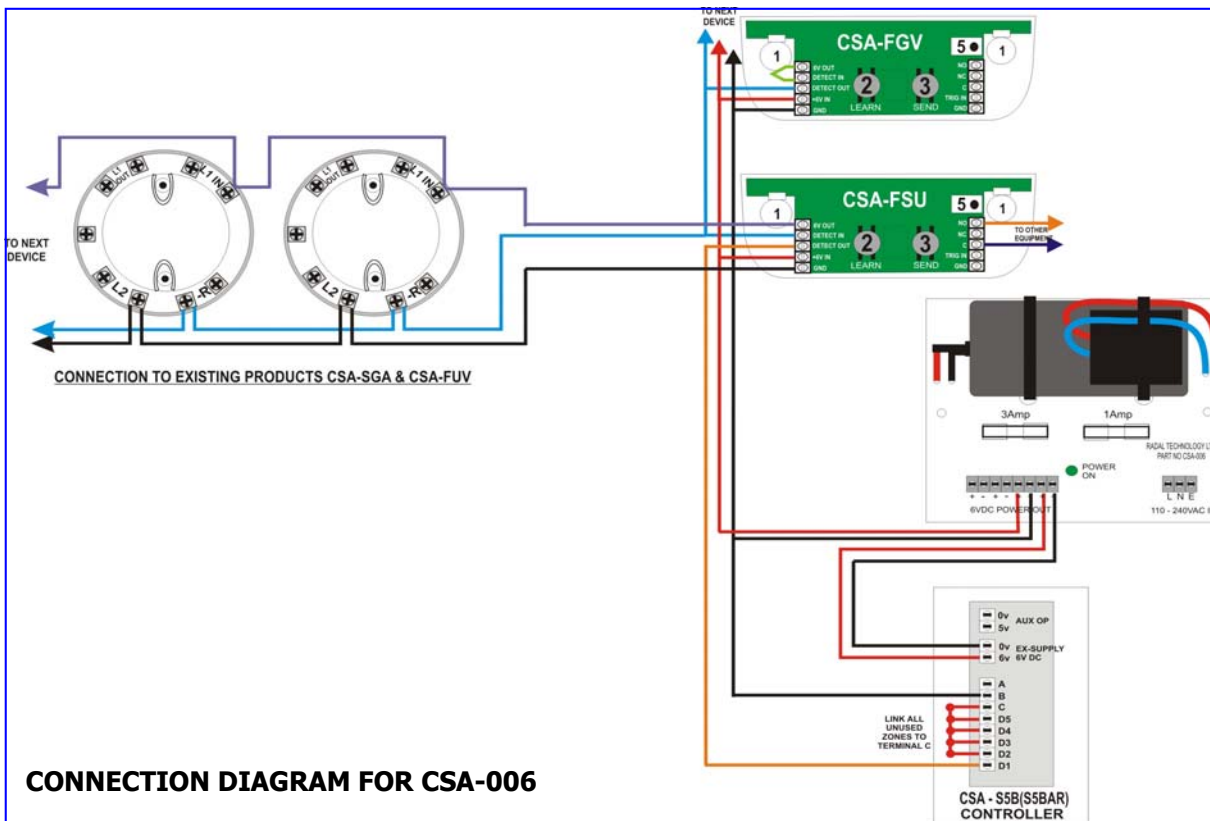
Output Voltage: 5—8Vdc 3 Amp max

Output Fuse Rating: 3 Amp Quick Blow (5 x 20mm)

Enclosure: Grey GRP IP54 (200mm x 150mm x 75mm)

Weight: 0.25Kg

Approvals: UL, TOV, FCC, CE



**CONNECTION DIAGRAM FOR CSA-006**

**TOBACCO**  
**CONTROL**

**Cig-Arrête®**

**Smoke Free Washrooms**



Radal Technology USA LLC  
1000 Laurel Avenue  
Suite A  
Hamilton, Ohio 45015  
USA  
Phone: 513-737-7900  
Toll Free: 1-888-795-9577  
Fax: 513-737-7444  
Email: [infousa@radaltechnology.com](mailto:infousa@radaltechnology.com)



Radal Technology Limited  
Unit 1 Webber Court  
Billington Road  
Burnley  
Lancashire BB11 5UB  
United Kingdom  
Phone: +44 (0)1282 463 770  
Fax: +44 (0)1282 463 771  
Email: [info@radaltechnology.com](mailto:info@radaltechnology.com)