

'Cig-Arrête® Plug Top Power Supply (Part No CSA-SMPSU)

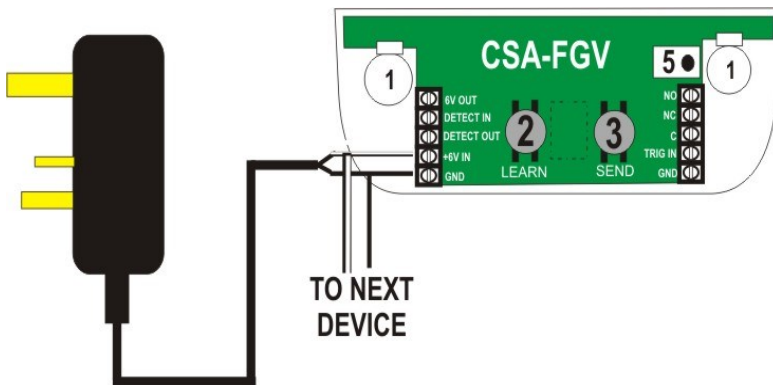


Description

The Cig-Arrête Power Supply is designed to operate directly from the mains supply. The unit is a 3 pin plug in supply rated at 240V ac and is only suitable for mains operation in the United Kingdom.

The CSA-SMPSU may be used to power all Cig-Arrête and SpeechPOD products

Note:
International product UL listed for UK, EU and USA



Specifications

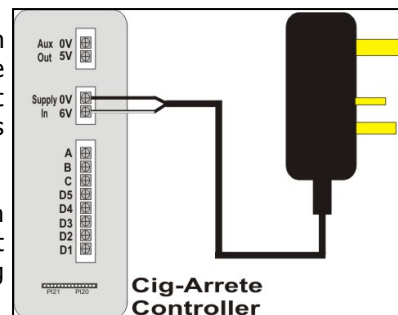
Mains Voltage	100—240V ac
Output Current	3 Amp (max)
Output Voltage	6V dc
Cable Length	0.5m

Installation Details

REMOVE ALL BATTERIES FROM CONTROLLER AND DISGARD. BATTERY & MAINS SUPPLY CANNOT BE USED TOGETHER OR DAMAGE MAY RESULT.

Connect the CSA-SMPSU unit to the Cig-Arrête Controller as shown in the diagram above. Ensure that you connect the cable with the white stripe to the +6Vdc terminal. You may have to cut off the jack plugs at the controller end of the power supply lead and then terminate as shown above. Plug the CSA-SMPSU into an appropriate power outlet.

The CSA-SMPSU can be used to power up to 10 devices (SD Evolution Master or CSA-S5B or CSA-S5BAR). Other power supply units must not be used as the CSA-SMPSU is a highly regulated supply. Using other power supplies may cause damage to your Cig-Arrête system.



The CSA-SMPSU may also be used to power the SpeechPOD range (CSA-POD, CSA-DUAL, CSA-PODW) or additionally, the RadAlert Talking Sign System, all of which operate on 6Vdc.

TOBACCO CONTROL
Cig-Arrête®
Smoke Free Washrooms



Radal Technology USA LLC
1000 Laurel Avenue
Suite A
Hamilton, Ohio 45015
USA
Phone: 513-737-7900
Toll Free: 1-888-795-9577
Fax: 513-737-7444
Email: infousa@radaltechnology.com



Radal Technology Limited
Unit 1 Webber Court
Billington Road
Burnley
Lancashire BB11 5UB
United Kingdom
Phone: +44 (0)1282 463 770
Fax: +44 (0)1282 463 771
Email: info@radaltechnology.com

